



# SHOWER TRAY FEET

► Supports 450kg per foot



The shower feet are suitable for both renovation and new build and are compatible with all types of shower trays in the market.

## ✓ TIP:

By removing the extension leg, the tray can be installed with a minimum height of only 58mm.



**Practical:** Handle integrated adjustment screw allows an easy setting.



**Accurate Setting:** Clear setting control. Only 0.31mm adjustment graduations.



**Stability:** Anti-slip stabilising base for an optimal installation.



**Increased safety:** Each foot has four floor fixing points.



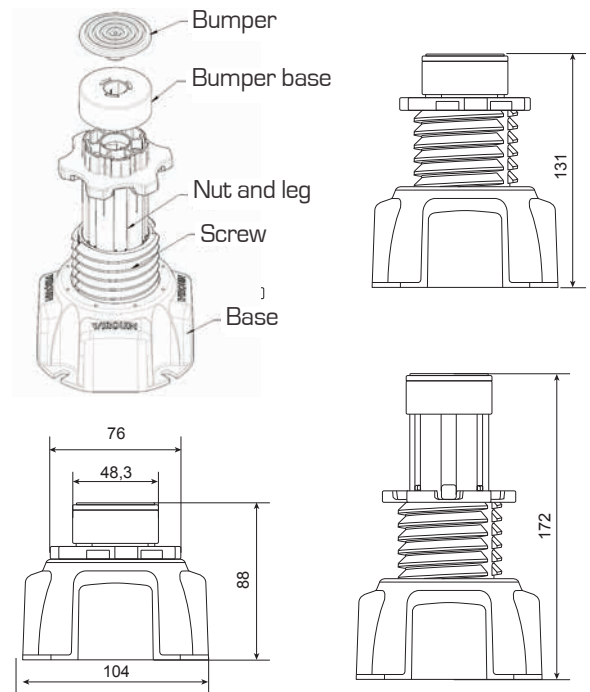
**104mm wide base:** To increase reliability and easy floor installation.

Description	Qty	Material	Colour
Bumper	1	SBS	Black
Bumper base	1	PP	Black
Nut and leg	1	PP	Black
Screw	1	PP	Black
Base	1	PP	Grey

**Capacity**  
Supports 450kg per foot.  
Allows the tray to raise up to 172mm height.  
88mm to 131mm without the extension leg.  
88mm to 172mm with the extension leg.



REVERSIBLE LEG



Reference	30719767
Code EAN	3375537196944
Packaging	Bag
Quantity	Pack of 4